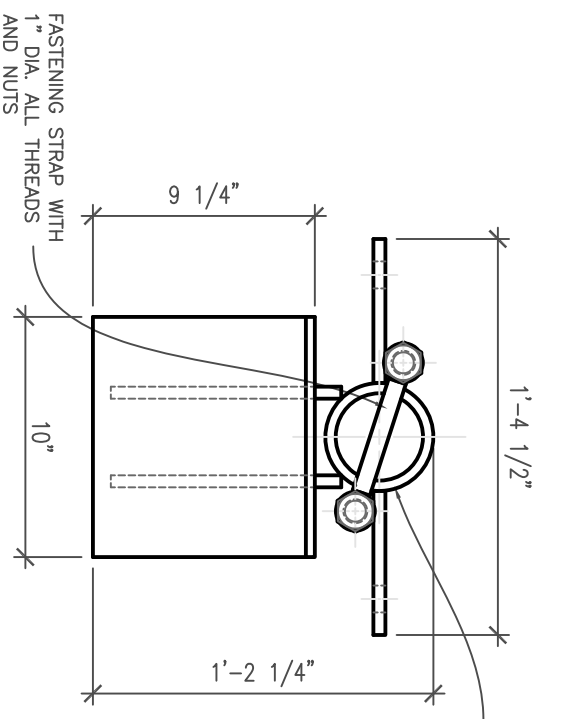
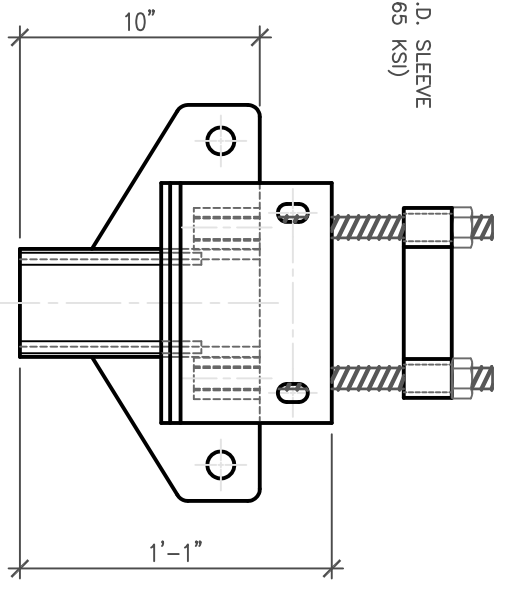


RevNo	Revision note	Date	Signature	Checked



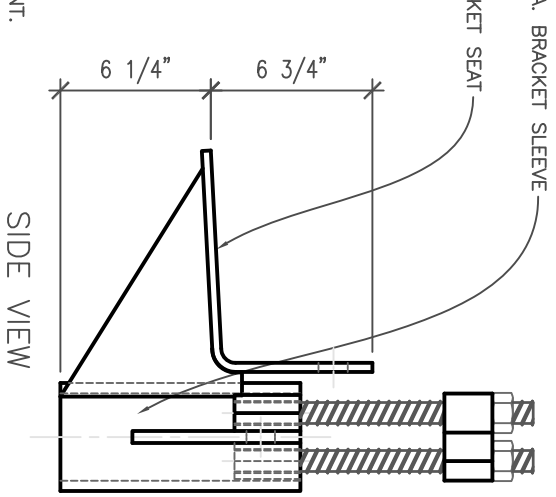
TOP VIEW



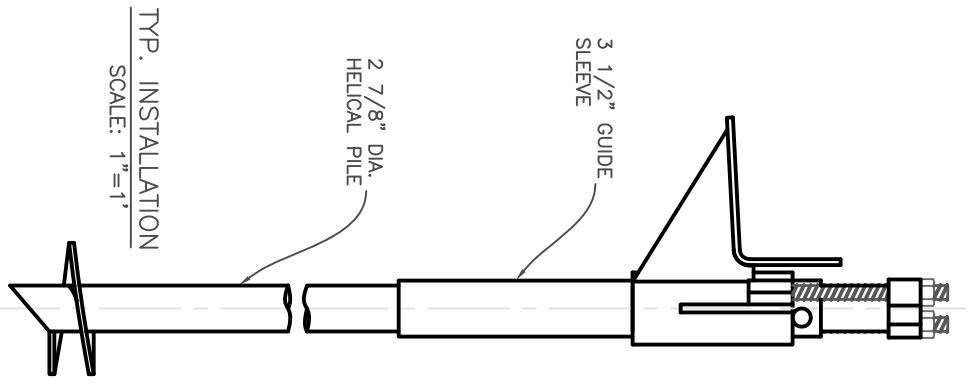
FRONT VIEW

1. POLYETHYLENE COPOLYMER THERMOPLASTIC COATING PER ICC-ES AC 228
2. MANUFACTURER TO HAVE IN EFFECT INDUSTRY RECOGNIZED WRITTEN QUALITY CONTROL FOR ALL MATERIALS AND MANUFACTURING PROCESSES.
3. ALL WELDING IS TO BE DONE BY WELDERS CERTIFIED UNDER SECTION 5 OF THE AWS CODE D1.1.
4. THE CAPACITY OF THE UNDERPINNING SYSTEM IS A FUNCTION OF MANY INDIVIDUAL ELEMENTS, INCLUDING THE CAPACITY OF THE FOUNDATION, BRACKET, PIER SHAFT, HELICAL PILE, AND BEARING STRATA, AS WELL AS THE STRENGTH OF THE FOUNDATION BRACKET CONNECTION AND THE QUALITY OF THE INSTALLATION OF THE PILE. YOUR ACHIEVABLE CAPACITY COULD BE HIGHER OR LOWER THAN THOSE LISTED DEPENDING ON THE ABOVE FACTORS.
5. RAM JACK ENGINEERING HANDBOOK FOR ALLOWABLE VALUES AND/OR CONDITIONS OF USE CONCERNING MATERIAL PRESENTED IN THIS DOCUMENT.

NOTES:



SIDE VIEW



TYP. INSTALLATION  
SCALE: 1"=1'

THIS DRAWING AND ITS CONTENTS ARE CONFIDENTIAL AND THE EXCLUSIVE PROPERTY OF RAM JACK SYSTEMS DISTRIBUTION, LLC. NO PUBLICATION, DISTRIBUTION OR COPIES MAY BE MADE WITHOUT THE EXPRESSED WRITTEN CONSENT OF RAM JACK SYSTEMS DISTRIBUTION, LLC. ALL RIGHTS RESERVED UNDER COPYRIGHT LAWS.



FOUNDATION SOLUTIONS

UNLESS OTHERWISE SPECIFIED  
\* DIMENSIONS ARE IN INCHES  
\* TOLERANCES: ANGLE ±1°  
3 PLACE DECIMALS ±.010  
2 PLACE DECIMALS ±.02  
\* REMOVE ALL BURRS AND SHARP EDGES  
\* PARENTHETICAL INFO FOR REF ONLY

HOLE TOLERANCES	
.013 THRU +.004	.126 THRU +.004
.125 THRU -.001	.250 THRU +.004
.501 THRU +.008	.751 THRU +.010
.750 THRU -.001	1.000 THRU -.001
	2.000 THRU +.012
	2.000 THRU -.001

FILE NAME	4:021 PILE BRKT.	ISCTM NO	
SIZE	A-SIZE TITLE BLOCK	SHEET	2 OF 7
DRAWN	CHARLES T. MARVIN	SCALE	1 1/2" = 1'
CHECK	DARIN WILLIS	DWG NO	4:021-02-07
APPR.	DARIN WILLIS	4:021 DRIVEN PILE BRACKET	
ISSUED			
REV			
CONTRACT NO			