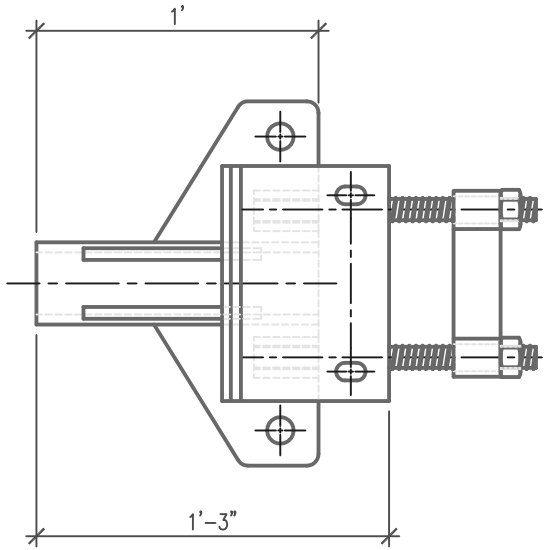
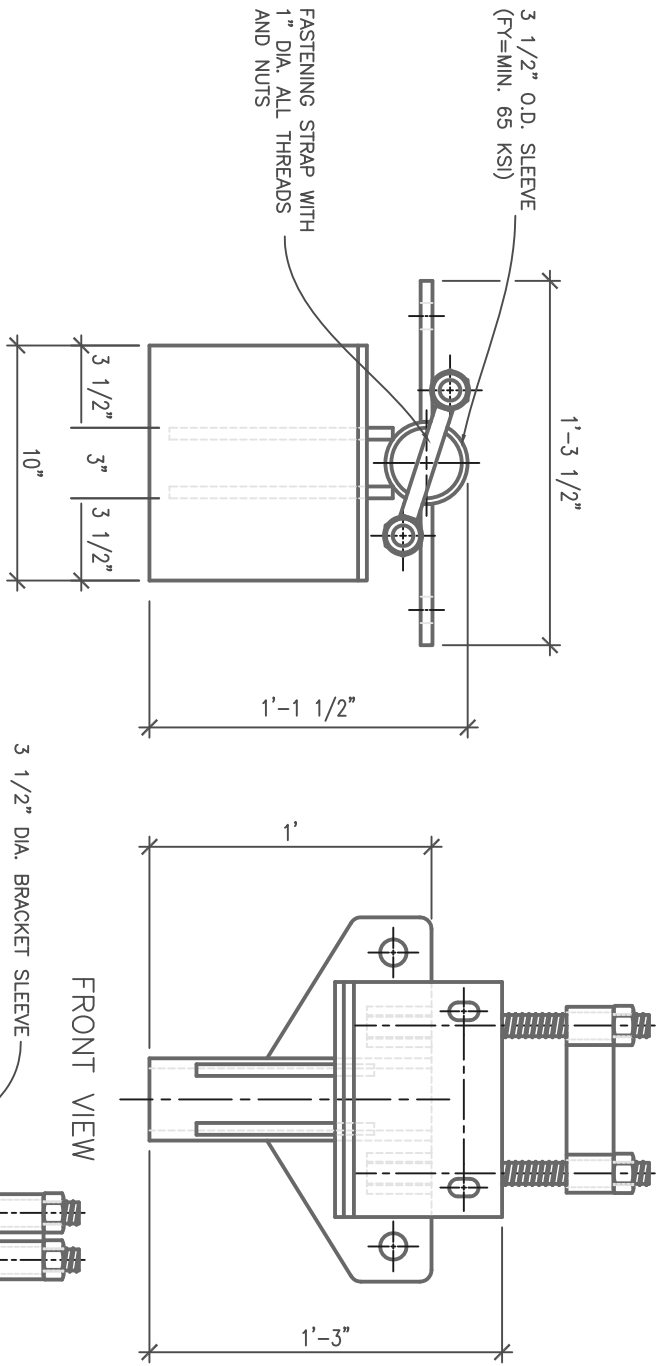


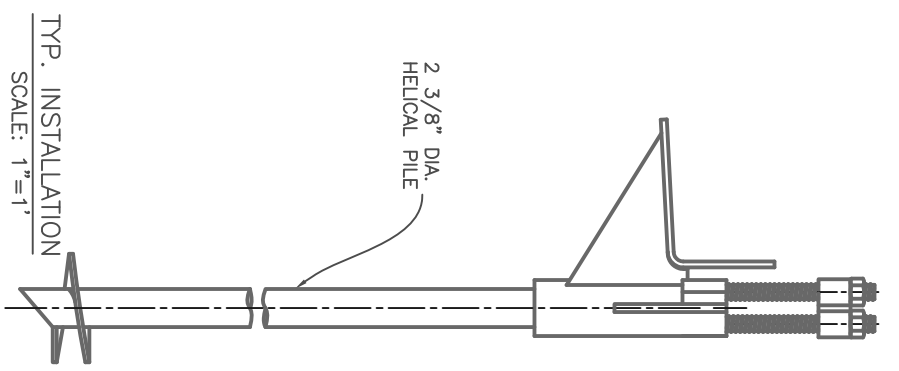
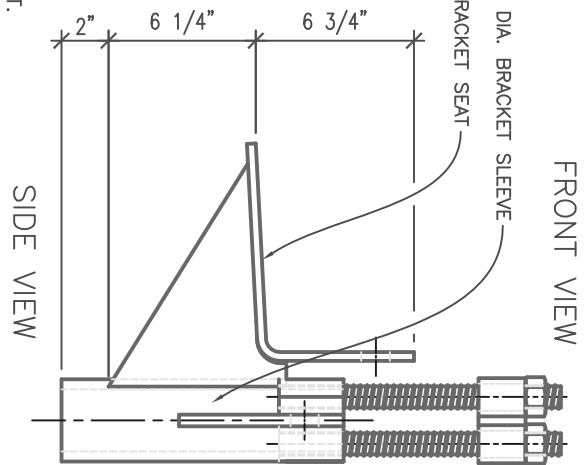
NOTES: UNLESS OTHERWISE SPECIFIED

RevNo	Revision note	Date	Signature	Checked



1. POLYETHYLENE COPOLYMER THERMOPLASTIC COATING PER ICC-ES AC 228
2. MANUFACTURER TO HAVE IN EFFECT INDUSTRY RECOGNIZED WRITTEN QUALITY CONTROL FOR ALL MATERIALS AND MANUFACTURING PROCESSES.
3. ALL WELDING IS TO BE DONE BY WELDERS CERTIFIED UNDER SECTION 5 OF THE AWS CODE D1.1.
4. THE CAPACITY OF THE UNDERPINNING SYSTEM IS A FUNCTION OF MANY INDIVIDUAL ELEMENTS, INCLUDING THE CAPACITY OF THE FOUNDATION, BRACKET, PIER SHAFT, HELICAL PILE, AND BEARING STRATA, AS WELL AS THE STRENGTH OF THE FOUNDATION BRACKET CONNECTION AND THE QUALITY OF THE INSTALLATION OF THE PILE. YOUR ACHIEVABLE CAPACITY COULD BE HIGHER OR LOWER THAN THOSE LISTED DEPENDING ON THE ABOVE FACTORS.
5. RAM JACK ENGINEERING HANDBOOK FOR ALLOWABLE VALUES AND/OR CONDITIONS OF USE CONCERNING MATERIAL PRESENTED IN THIS DOCUMENT.

NOTES:



TYP. INSTALLATION
SCALE: 1"=1'

THIS DRAWING AND ITS CONTENTS ARE CONFIDENTIAL AND THE EXCLUSIVE PROPERTY OF RAM JACK SYSTEMS DISTRIBUTION, LLC. NO PUBLICATION, DISTRIBUTION OR COPIES MAY BE MADE WITHOUT THE EXPRESSED WRITTEN CONSENT OF RAM JACK SYSTEMS DISTRIBUTION, LLC. ALL RIGHTS RESERVED UNDER COPYRIGHT LAWS.



UNLESS OTHERWISE SPECIFIED
DIMENSIONS ARE IN INCHES
TOLERANCES: ANGLE ±1°
3 PLACE DECIMALS ±.010
2 PLACE DECIMALS ±.02
* REMOVE ALL BURRS AND SHARP EDGES
* PARENTHETICAL INFO FOR REF ONLY

HOLE TOLERANCES	
.013 THRU +.004 -.001	.126 THRU +.004 -.001
.125 THRU +.004 -.001	.250 THRU +.006 -.001
.501 THRU +.008 -.001	.751 THRU +.010 -.001
1.000 THRU +.010 -.001	2.000 THRU +.012 -.001

FILE NAME	4038 PILE BKT.	ISCTM NO	SHEET	SCALE
SIZE	A-SIZE TITLE BLOCK		2 OF 7	1 1/2"=1'
DRAWN	10-2-08		CHARLES T. MARVIN	
CHECK		DARIN WILLIS		
APPR.	DARIN WILLIS		4038 DRIVEN PILE BRACKET-HELIX	
ISSUED			DWG NO	
REV			4038-02-07	
CONTRACT NO				